



**AKAI**

# **АКУСТИЧЕСКАЯ СИСТЕМА**

Model:

**AS-R8015SSP**

# **SERVICE MANUAL**

## General safety instructions

To avoid the risk of an electronic shock, you should not expose the device to rain or moisture. Consequently, do not use the device in the immediate vicinity of water, for example near a bath tub, a swimming pool or in a damp cellar.

Use the device only for the intended purpose. Only connect the device at a properly installed plug socket. Pay attention that the specified voltage corresponds to the voltage of plug socket.

When using external mains supply, pay attention to the correct polarity and voltage. Always place the batteries in the correct direction.

Assemble the device in such a way that the available ventilation openings are not covered.

Never open the housing of the device. Incorrect repairs can constitute a considerable risk of the user. Should the device become damaged, in particular the mains supply cable, do not operate the device any longer, but rather have it repaired by an expert.

Check the mains supply cable regularly for damage. For safety reasons a broken or damaged mains lead may only be replaced by an equivalent lead from the manufacturer, our customer service department or a similarly qualified person.

These symbols may be found on the unit and are intended to indicate the following:

The lightning symbol should advise the user of parts in the inside of the device which carry dangerously high voltage level.

The symbol with an exclamation mark should advise the user of important operation or maintenance instructions in the accompanying documentation.

## Contents

Cover-----	P1
General safety instruction -----	P2
Exploded view of the Subwoofer—	P3
Exploded view of the satellite--	P4
Schematic diagram -----	P5
Drawing of PCB board- -----	P6-P9
Part list -----	P10
Familiar malfunction analysis-----	P11

## Specification Data:

RMS output: 110W(35W+15W\*5)

Speaker Unit:

subwoofer: 5. 25"

satellite: 3" \*5

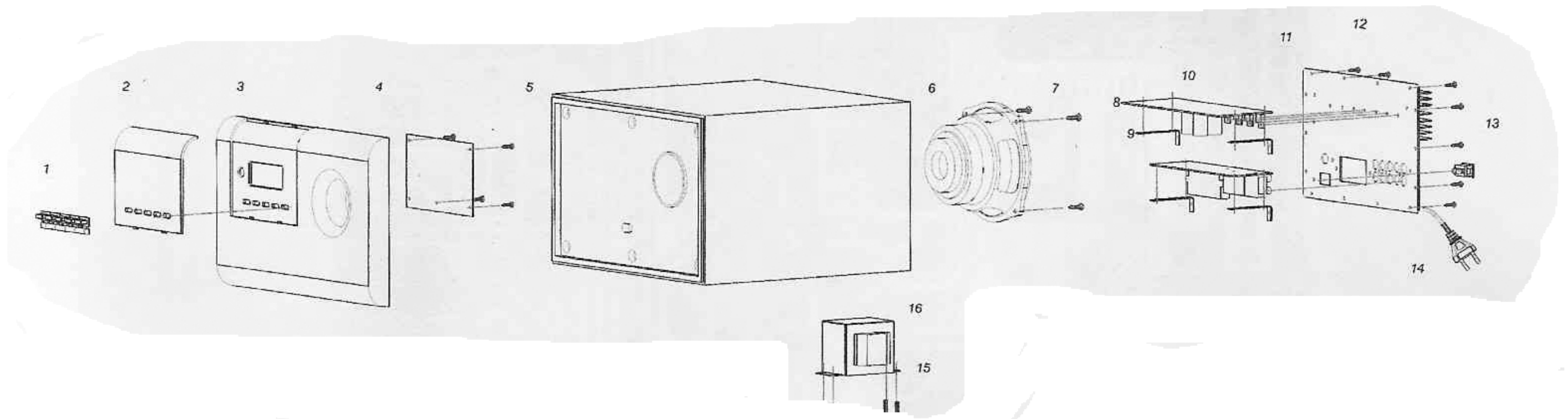
Distortion :0. 3%1w 1kHz

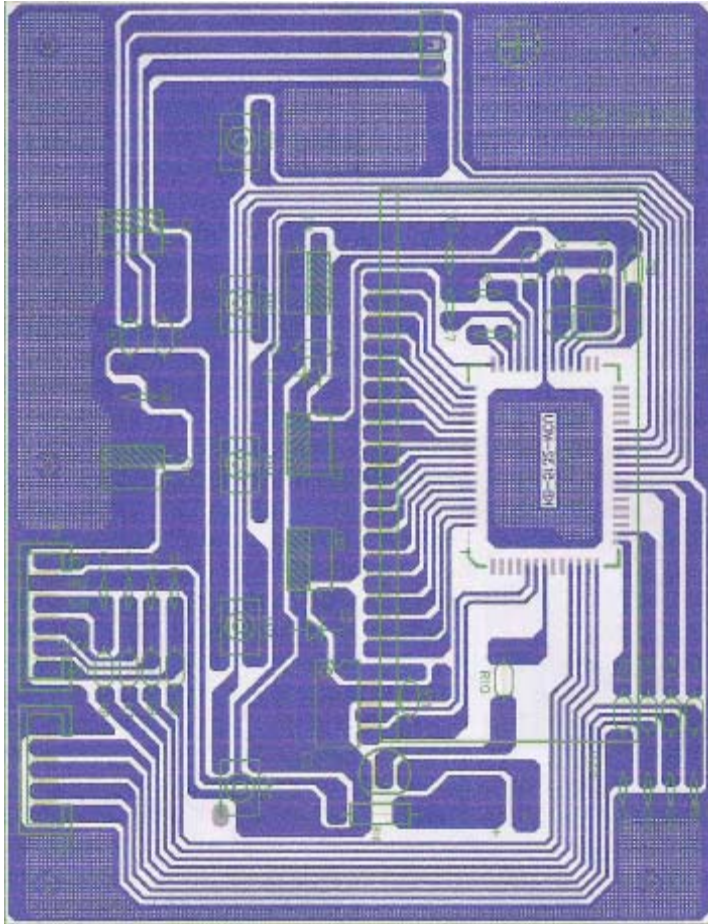
S/N Ratio: >=60dB

Separation: >-45dB

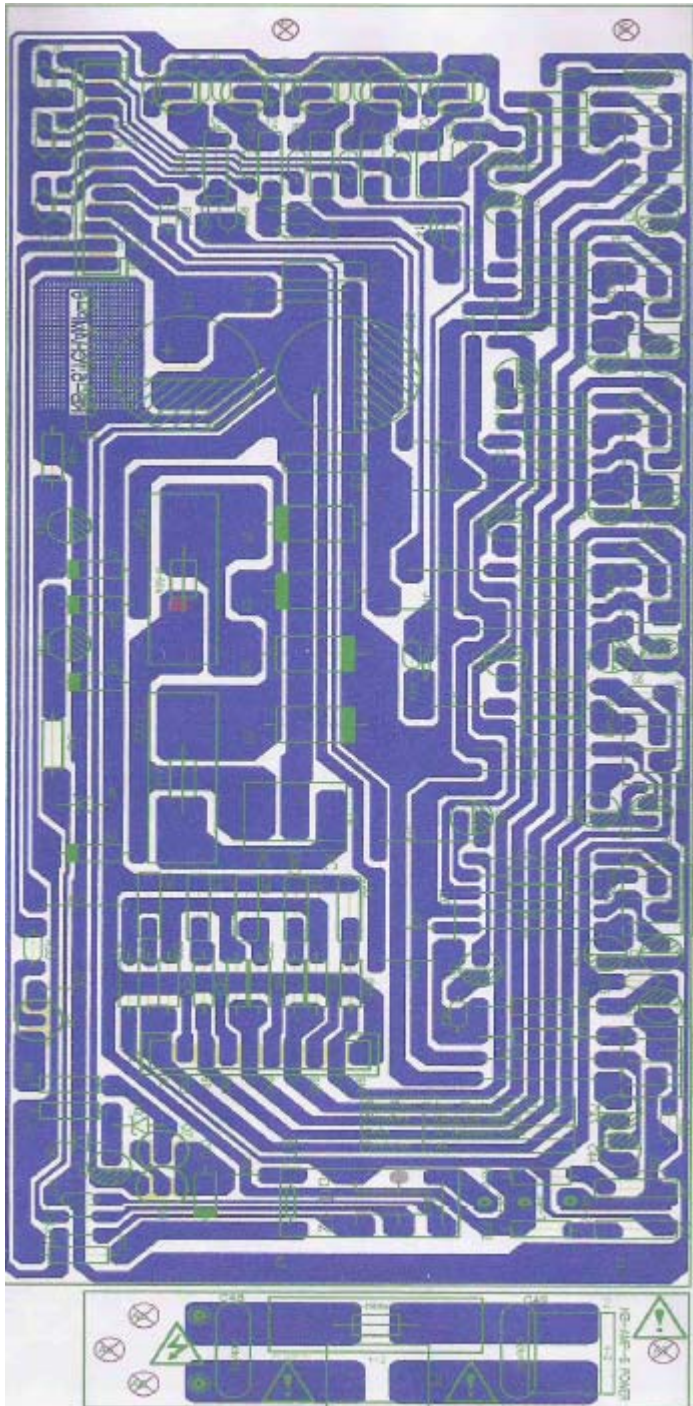
# EXPLODED VIEWS OF THE SUBWOOFER

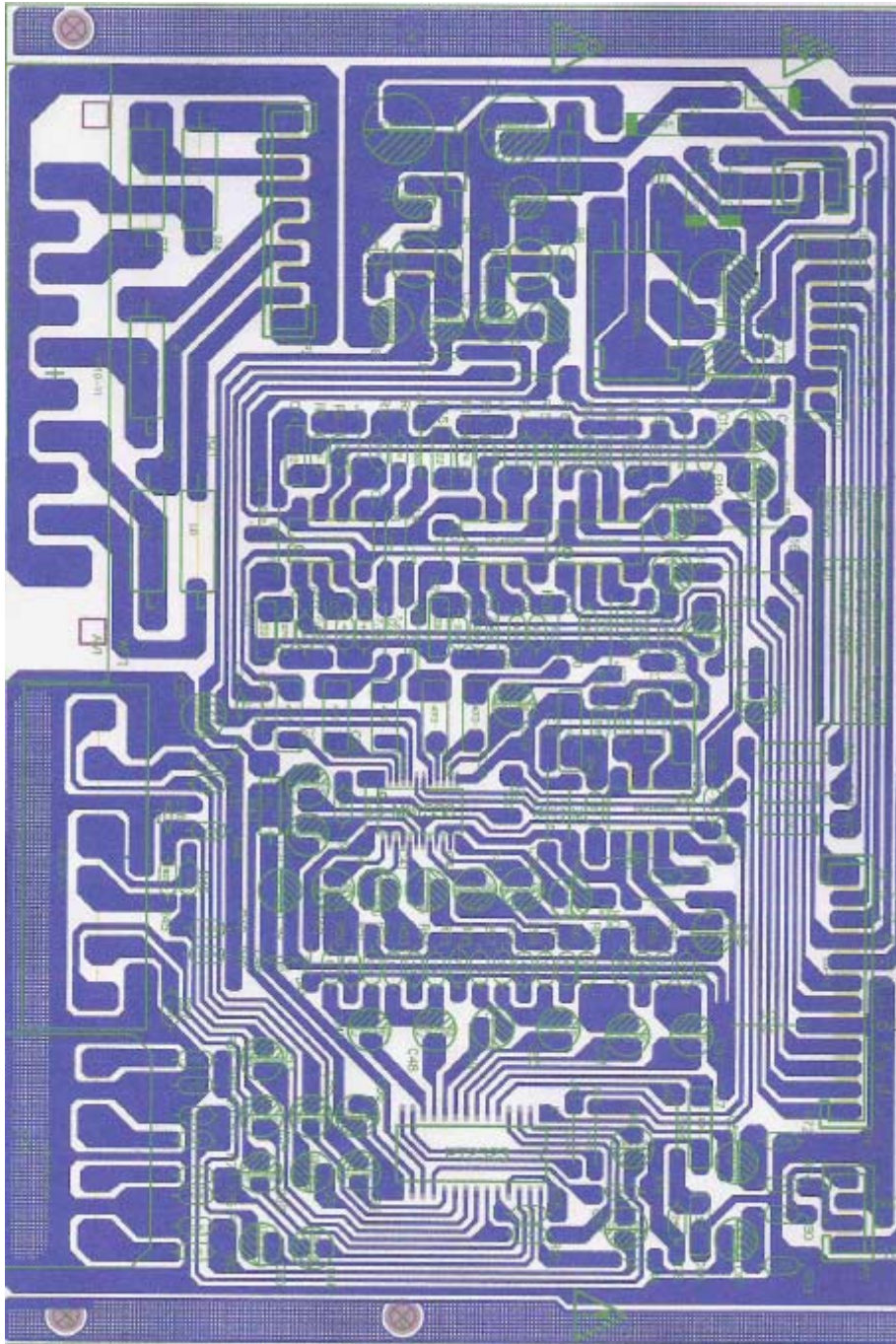
SN.	part Name	Spec	QTY/SET	SN.	part Name	Spec	QTY/SET
1	fuction key		1	9	Amplifiler		1
2	plastic glass		1	10	output PCB		1
3	plastic panel		1	11	heat-link		1
4	Fuction PCB	<u>300*190*28</u>	1	12	screw	<u>ST 3*14</u>	14
5	wood cabinet	<u>300*190*285</u>	1	13	switch		1
6	speaker	<u>5.25'</u>	1	14	Power wire		1
7	screw	<u>ST 4*20</u>	4	15	screw	<u>M4*20</u>	4
8	Metal plate	<u>66*45*1.0</u>	4	16	transform	<u>66*45</u>	1



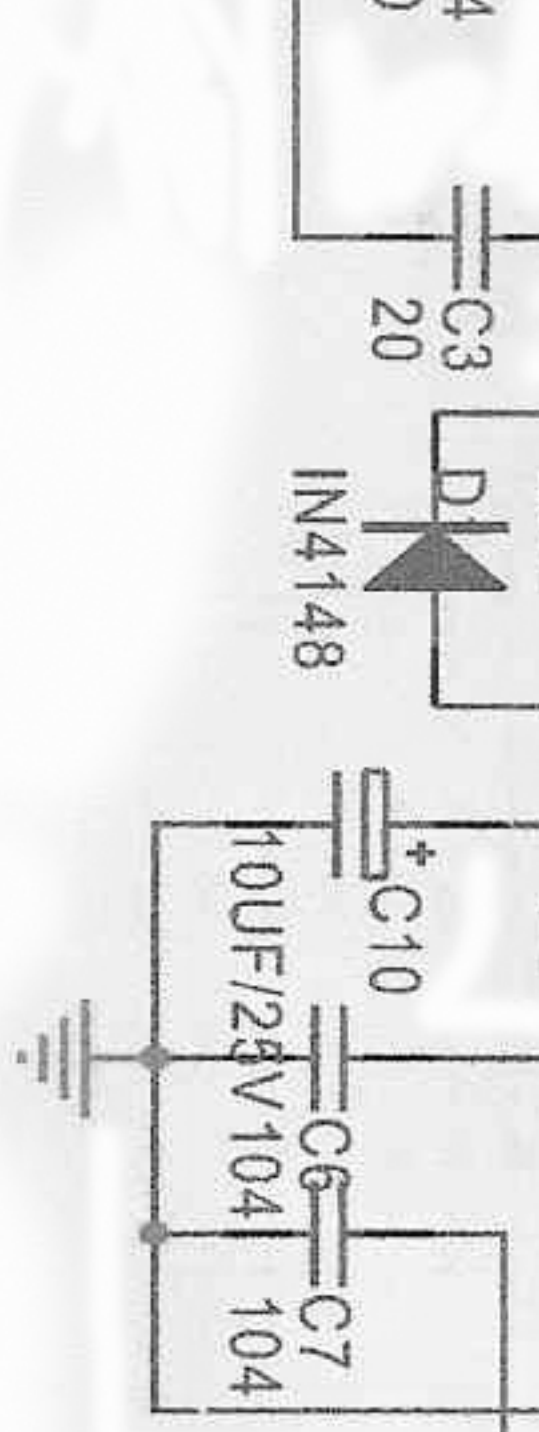
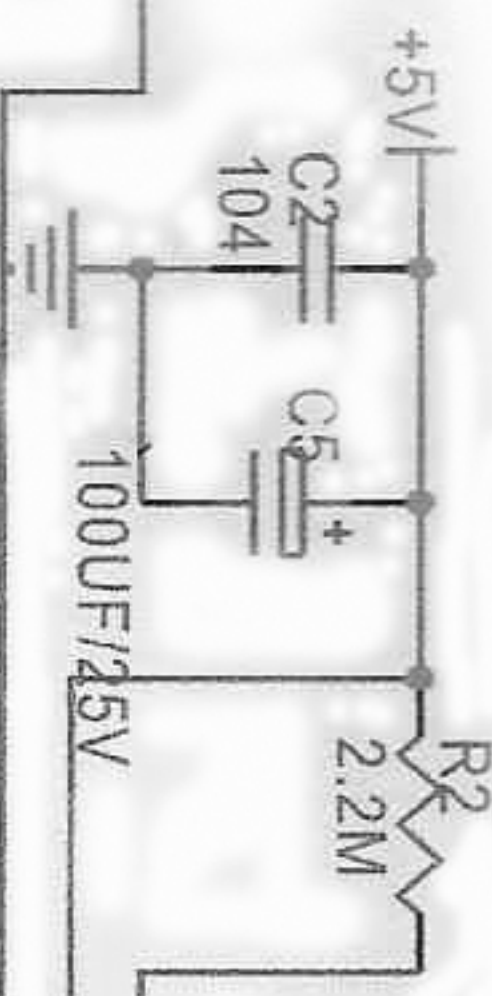
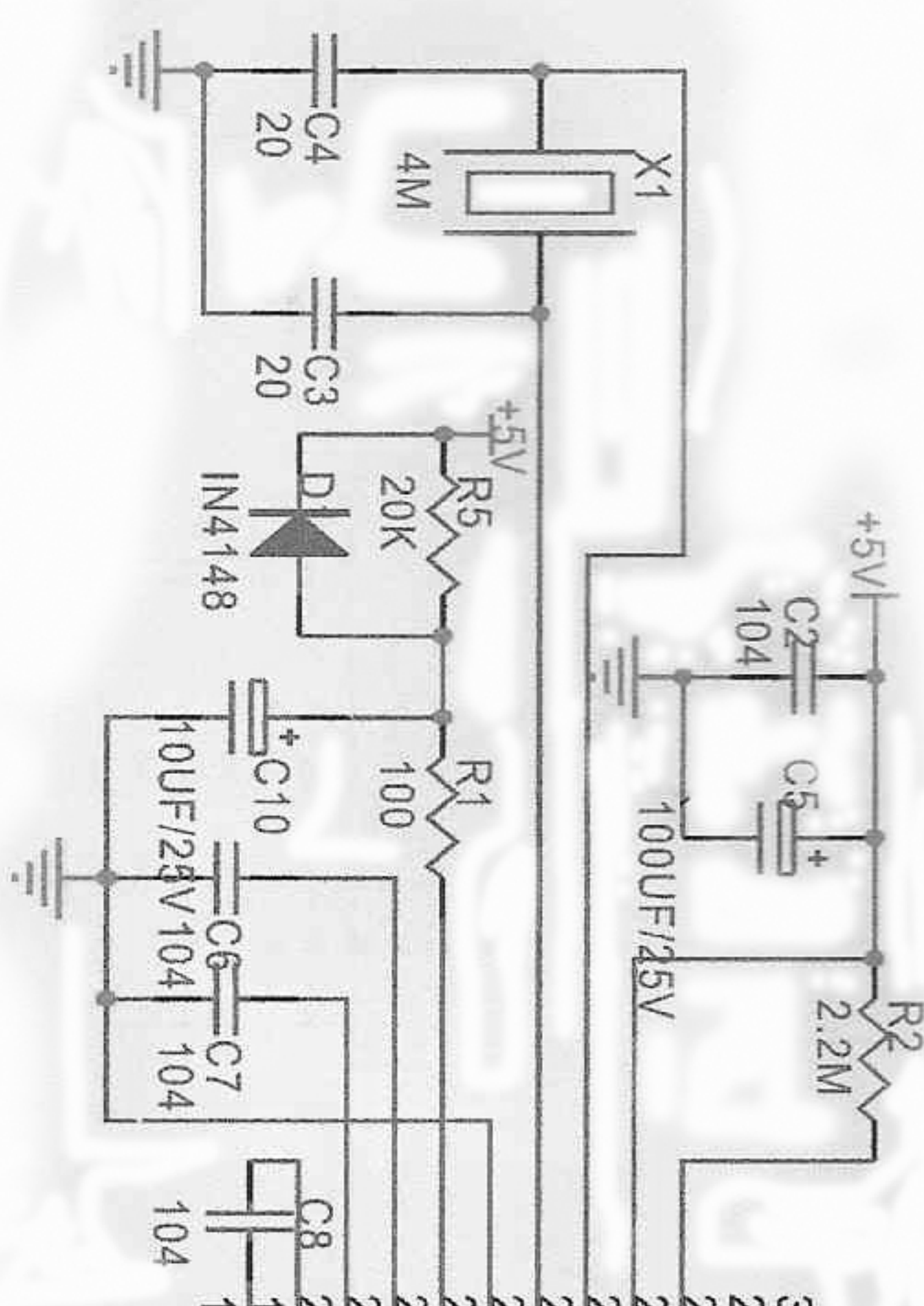
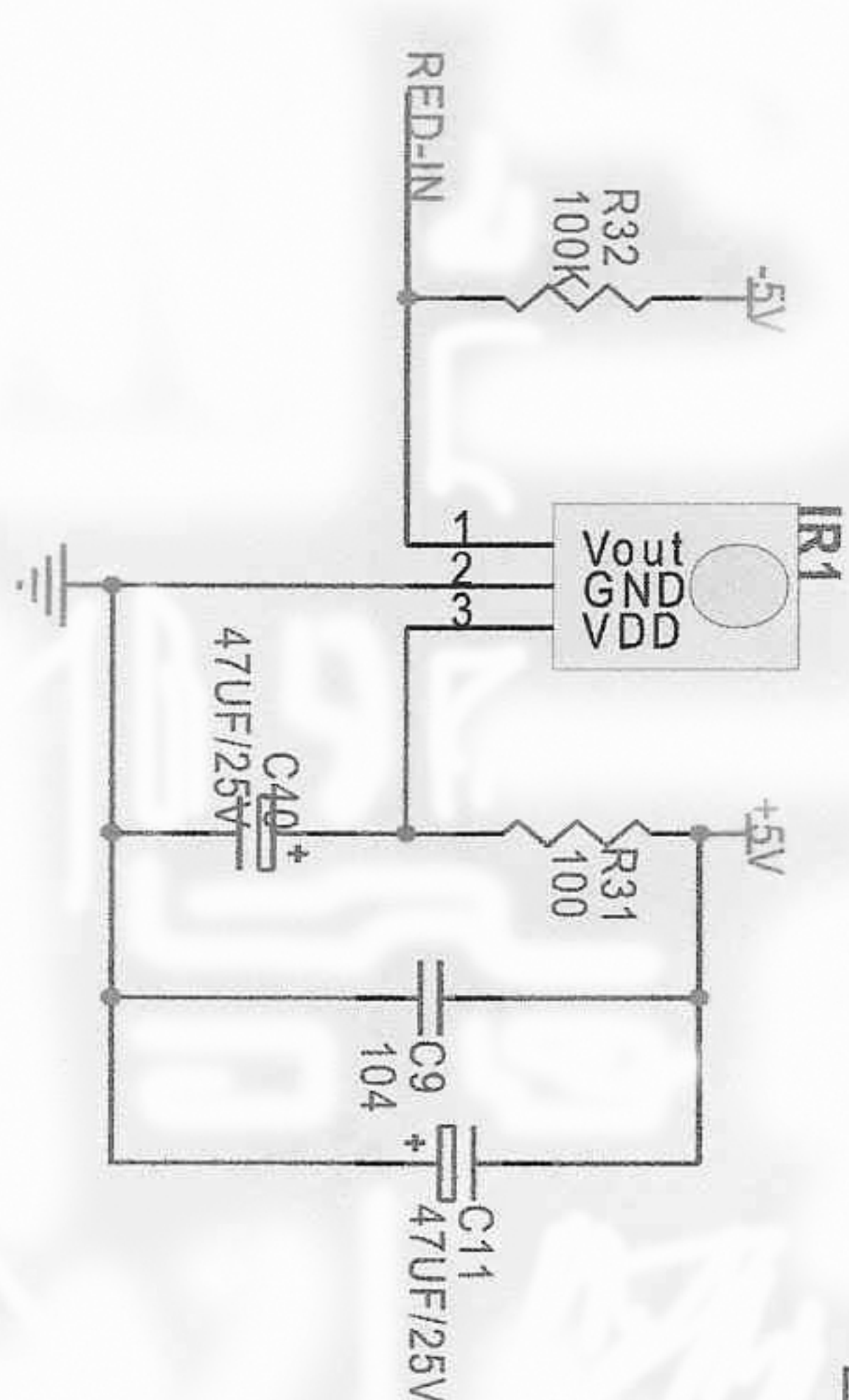
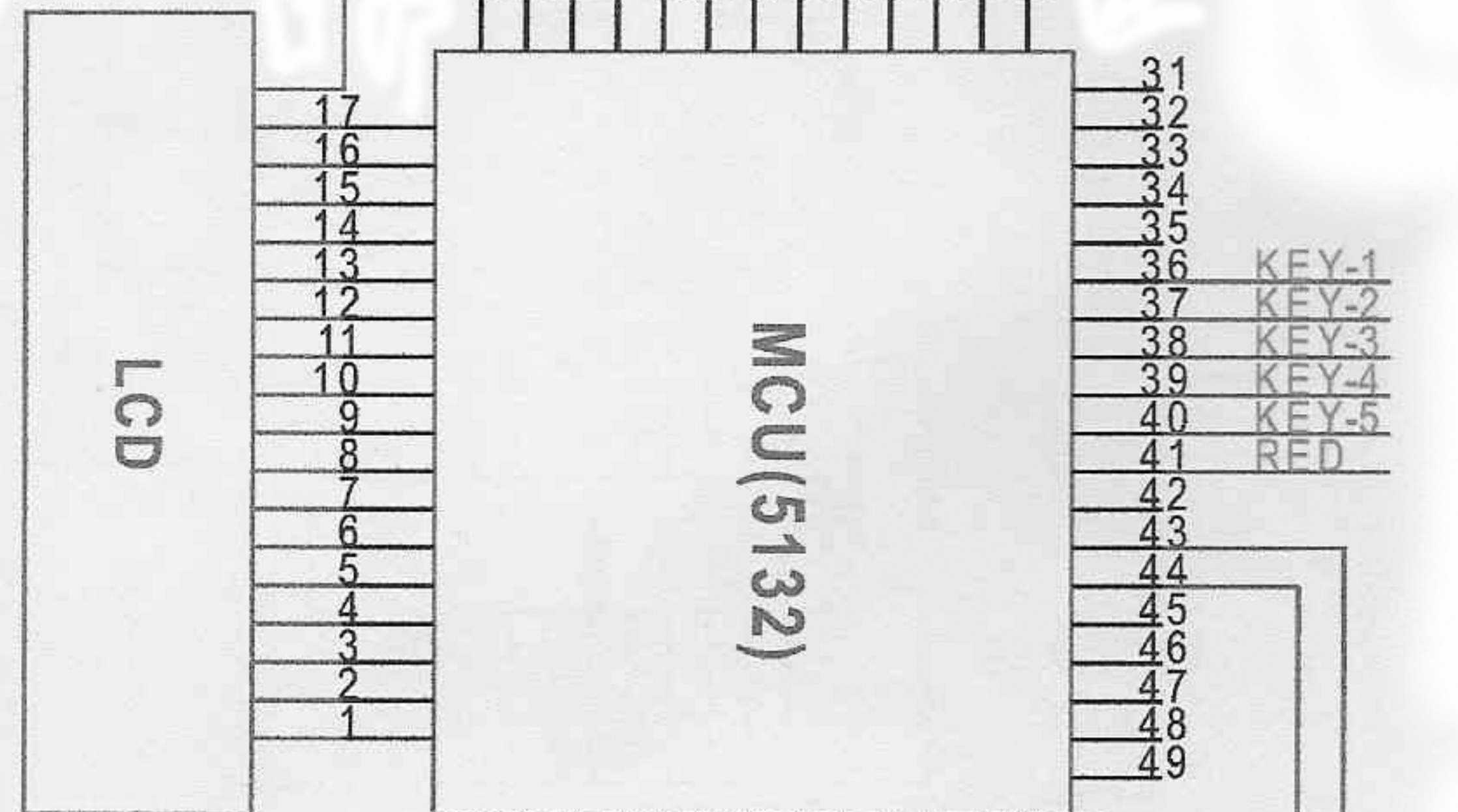
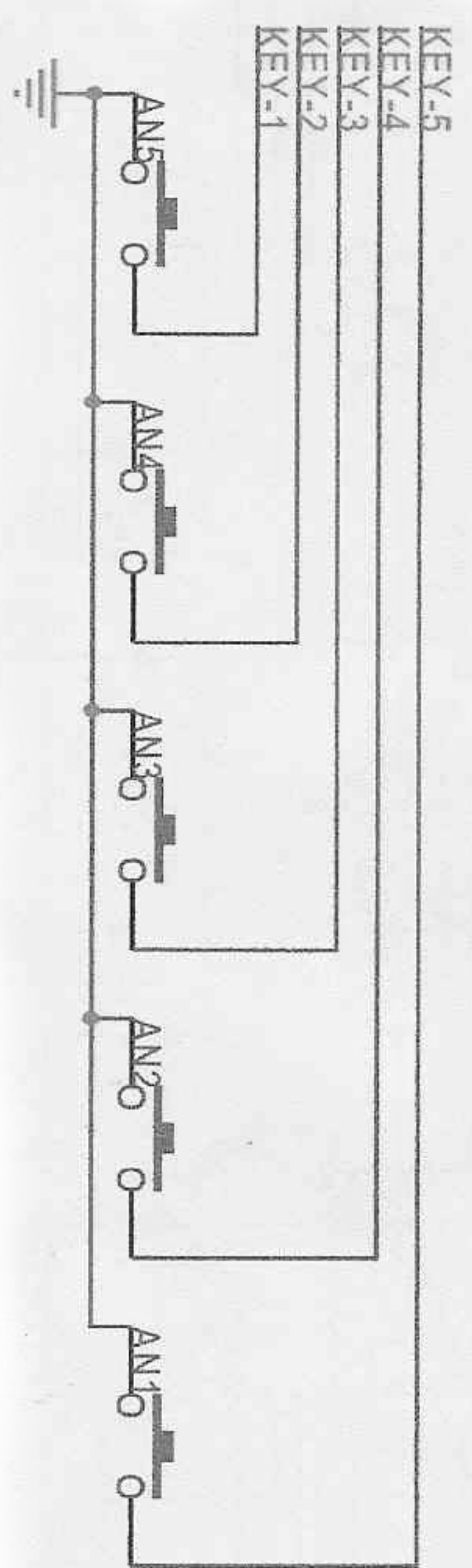
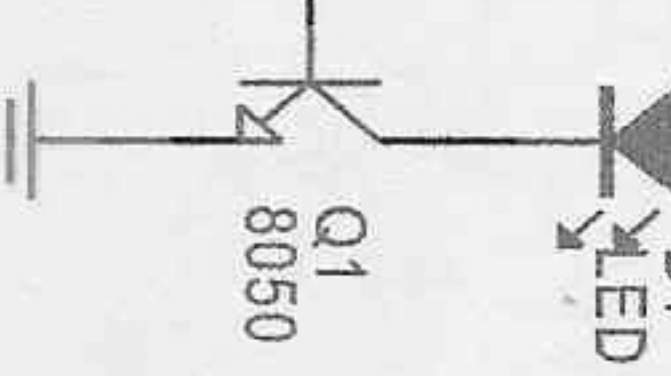
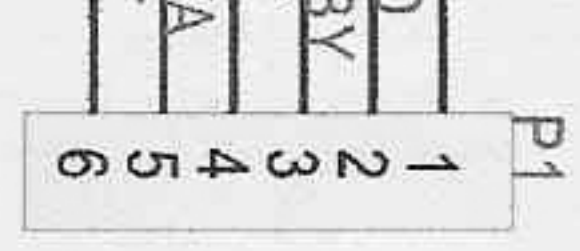
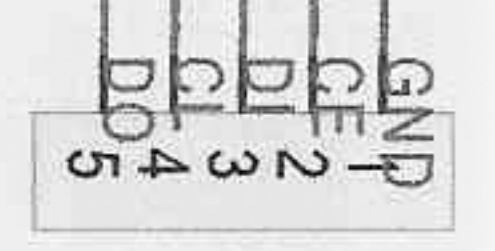
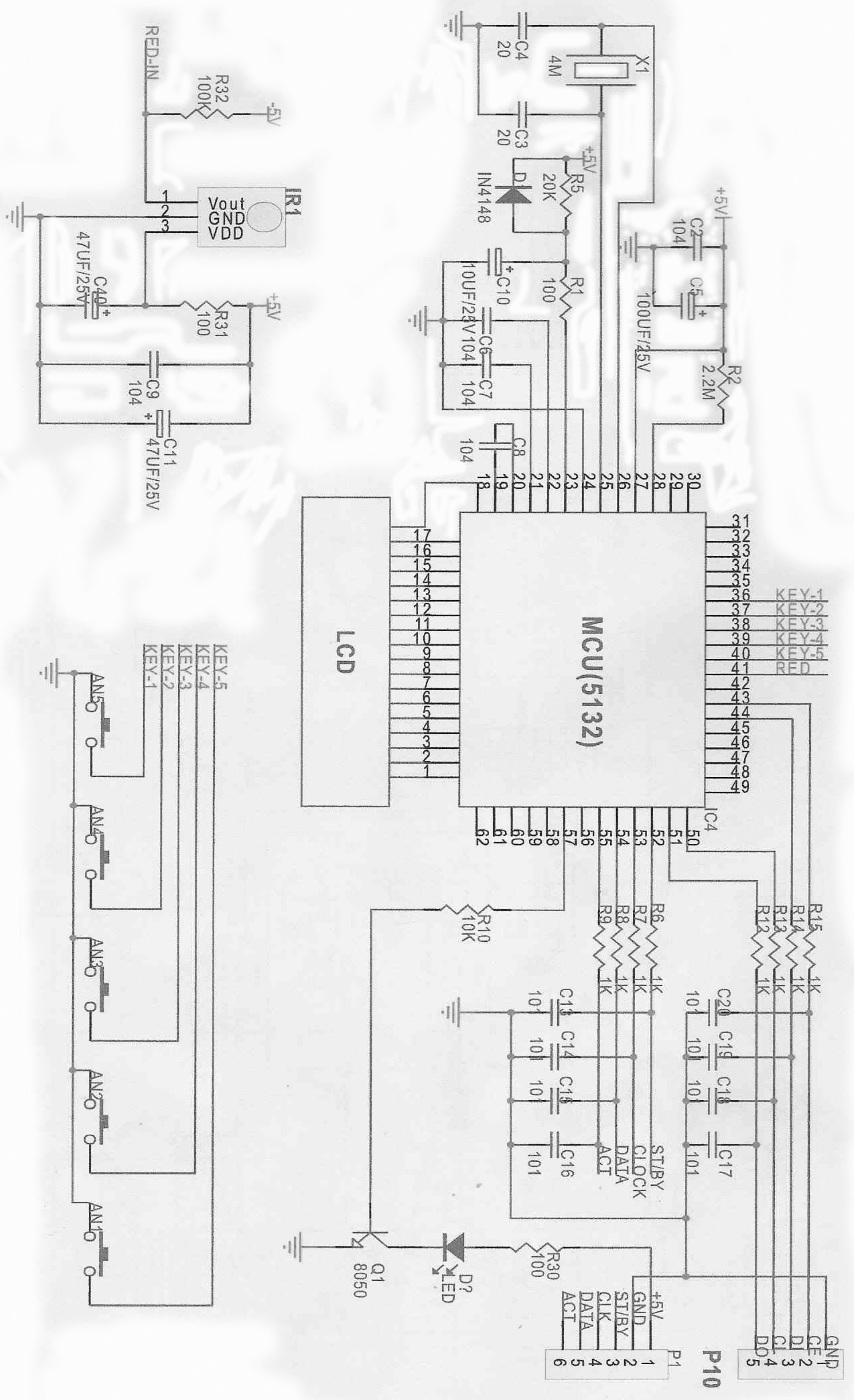




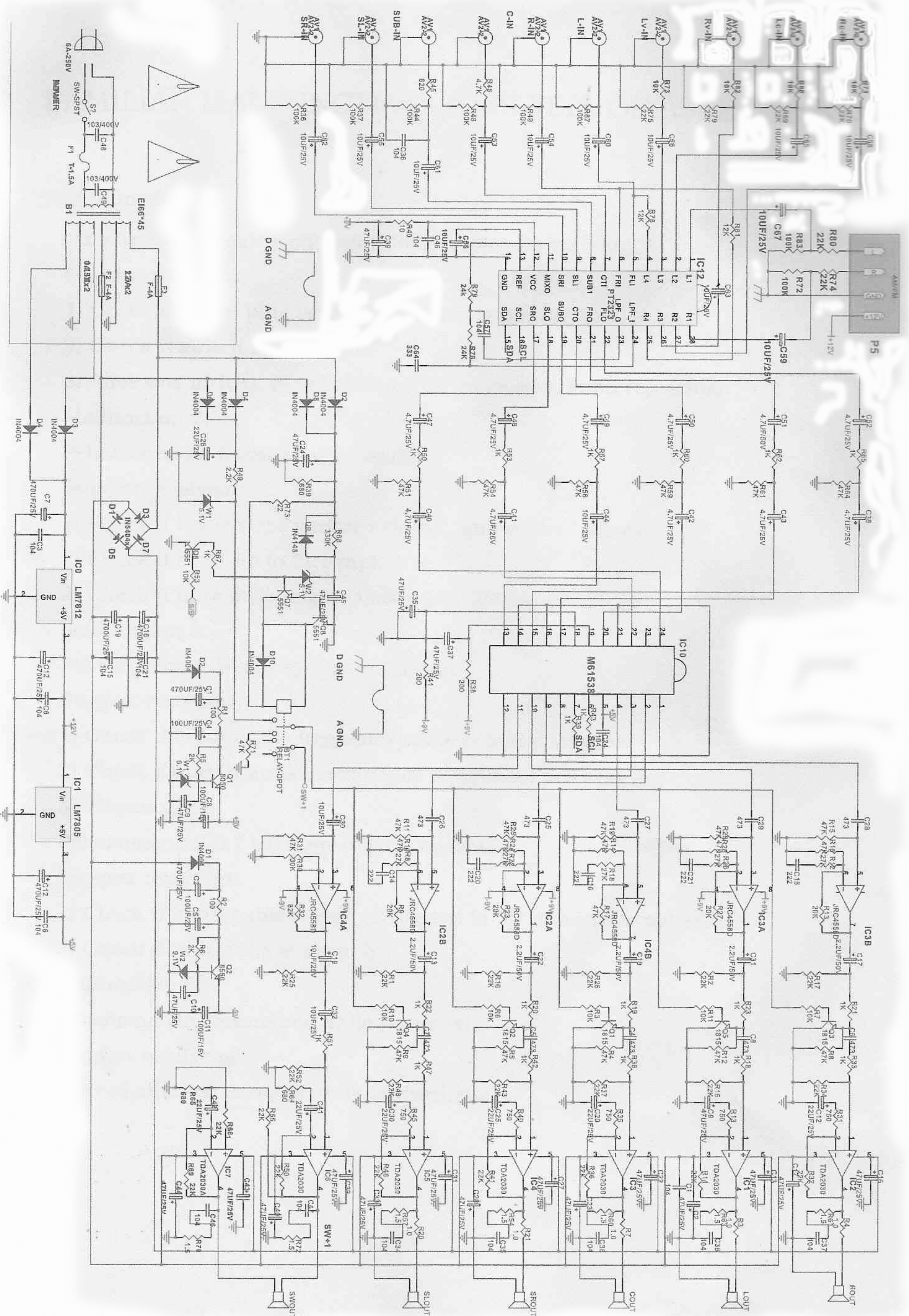












MEMBER

SW-SPST

F1 T-1.5A

B1

E166-45

F-4A

F2 F-4A

0.453X2

D GND

A GND

D GND

A GND

D GND

A GND

D GND

A GND

D GND

A GND

D GND

A GND

D GND

A GND

D GND

A GND

D GND

A GND

D GND

A GND

D GND

A GND

D GND

A GND

D GND

A GND

D GND

A GND

D GND

A GND

D GND

A GND

D GND

A GND

D GND

A GND

D GND

A GND

D GND

A GND

D GND

A GND

D GND

A GND

D GND

A GND

D GND

A GND

D GND

A GND

D GND

A GND

D GND

A GND

D GND

A GND

D GND

A GND

D GND

A GND

D GND

A GND

D GND

A GND

D GND

A GND

D GND

A GND

D GND

A GND

D GND

A GND

D GND

A GND

D GND

A GND

D GND

A GND

D GND

A GND

D GND

A GND

D GND

A GND

D GND

A GND

D GND

A GND

D GND

A GND

D GND

A GND

D GND

A GND

D GND

A GND

D GND

A GND

D GND

A GND

D GND

A GND

D GND

A GND

D GND

A GND

D GND

A GND

D GND

A GND

D GND

A GND

D GND

A GND

D GND

A GND

D GND

A GND

D GND

A GND

D GND

A GND

D GND

A GND

D GND

A GND

D GND

A GND

D GND

A GND

D GND

A GND

D GND

A GND

D GND

A GND

D GND

A GND

D GND

A GND

D GND

A GND

D GND

A GND

D GND

A GND

D GND

A GND

D GND

A GND

D GND

A GND

D GND

A GND

D GND

A GND

D GND

A GND

D GND

A GND

D GND

A GND

D GND

A GND

D GND

A GND

D GND

A GND

D GND

A GND

D GND

A GND

D GND

A GND

D GND

A GND

D GND

A GND

D GND

A GND



# FAMILIAR MALFUNCTION ANALYSIS OF AFTER-SERVICE

## Malfunction 1:

Phenomenon: speaker no sound, VFD display no working.

Suggest resolving:

- 1) Check if power plug is well connected to power.
- 2) Check if switch is set in "ON"
- 3) Fuse was melted. (Need checked by professional and replacing)

## Malfunction 2:

Phenomenon: Subwoofer no sound

Suggest resolving:

- 1) Check if turned up "master volume", subwoofer "volume"
- 2) Check if have set to "2.1 input"
- 3) Check if have input signal that under 200Hz frequency

## Malfunction 3:

Phenomenon: Whole system no sound

Suggest resolving:

- 1) Check if input audio frequency cable is well connected.
- 2) Check if output audio frequency equipment are working

## Malfunction 4:

Phenomenon: 5.1 Channel output no sound

Suggest resolving:

- 1) Check if input cable is well connected to 5.1 channel input RCA
- 2) Check if "mode" have set to 5.1

## Malfunction 5:

Phenomenon: resonance while power on

Suggest resolving:

- 1) Need checked & repaired by professional.